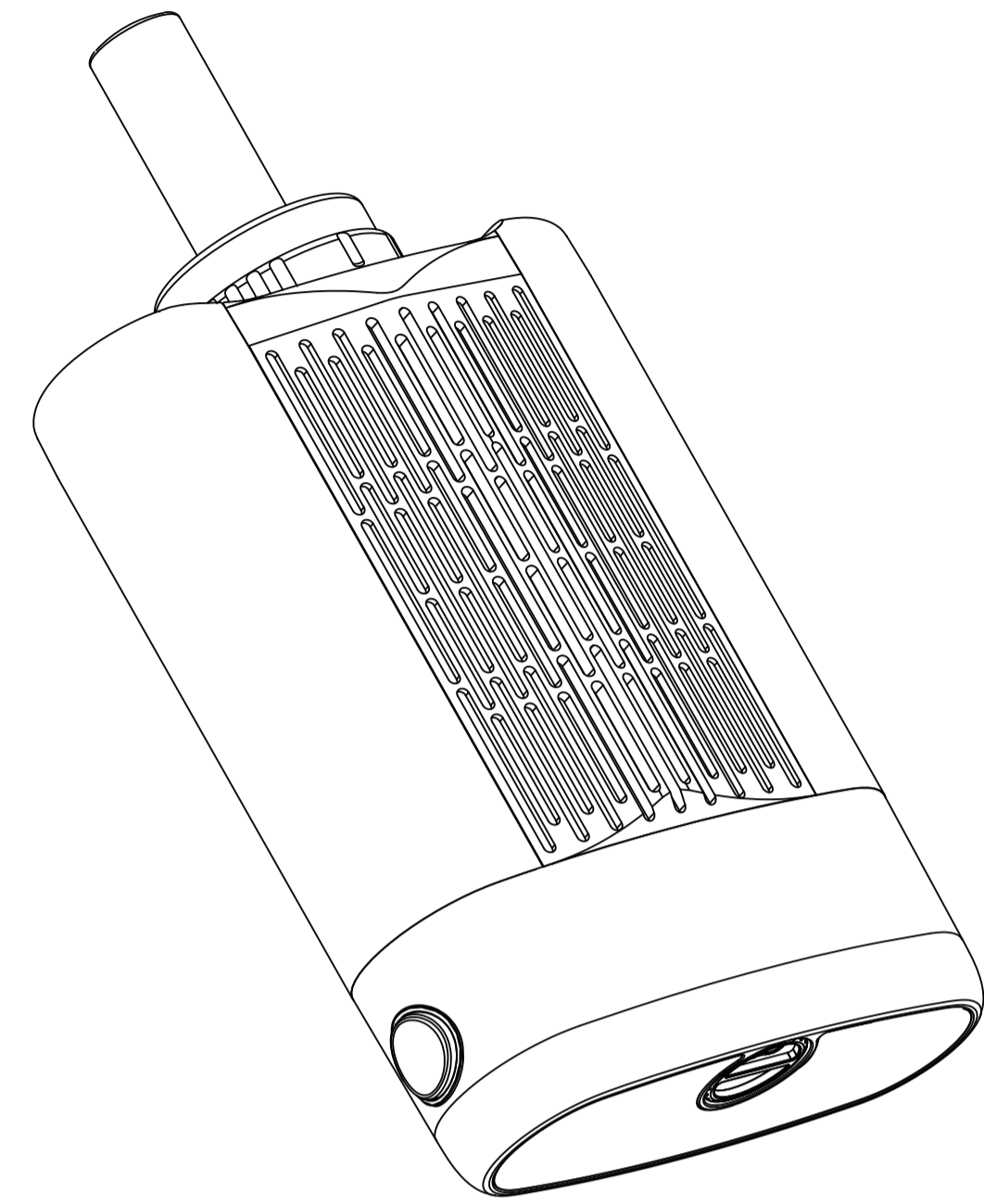
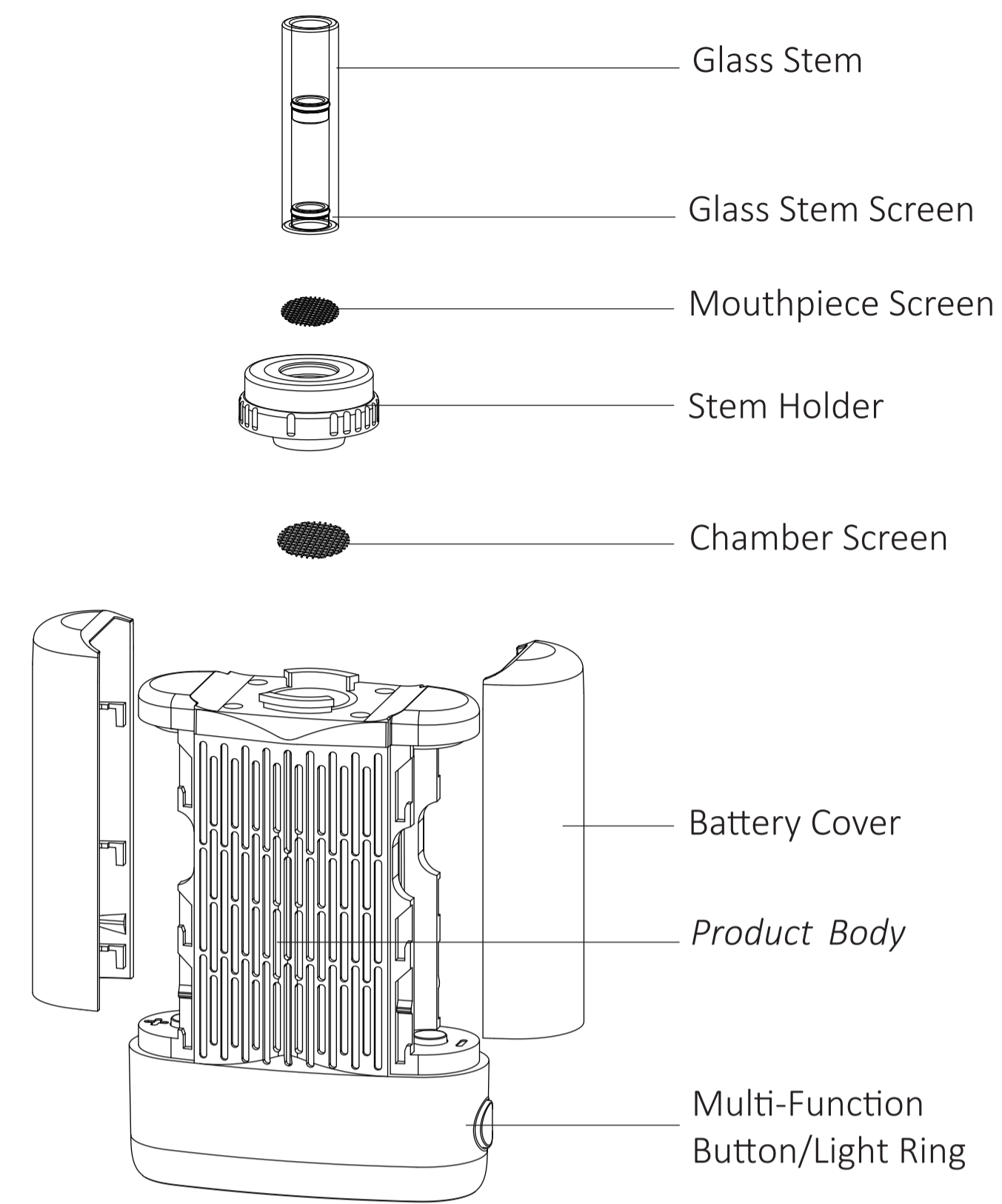


Angus Enhanced User Guide

Angus Enhanced Overview

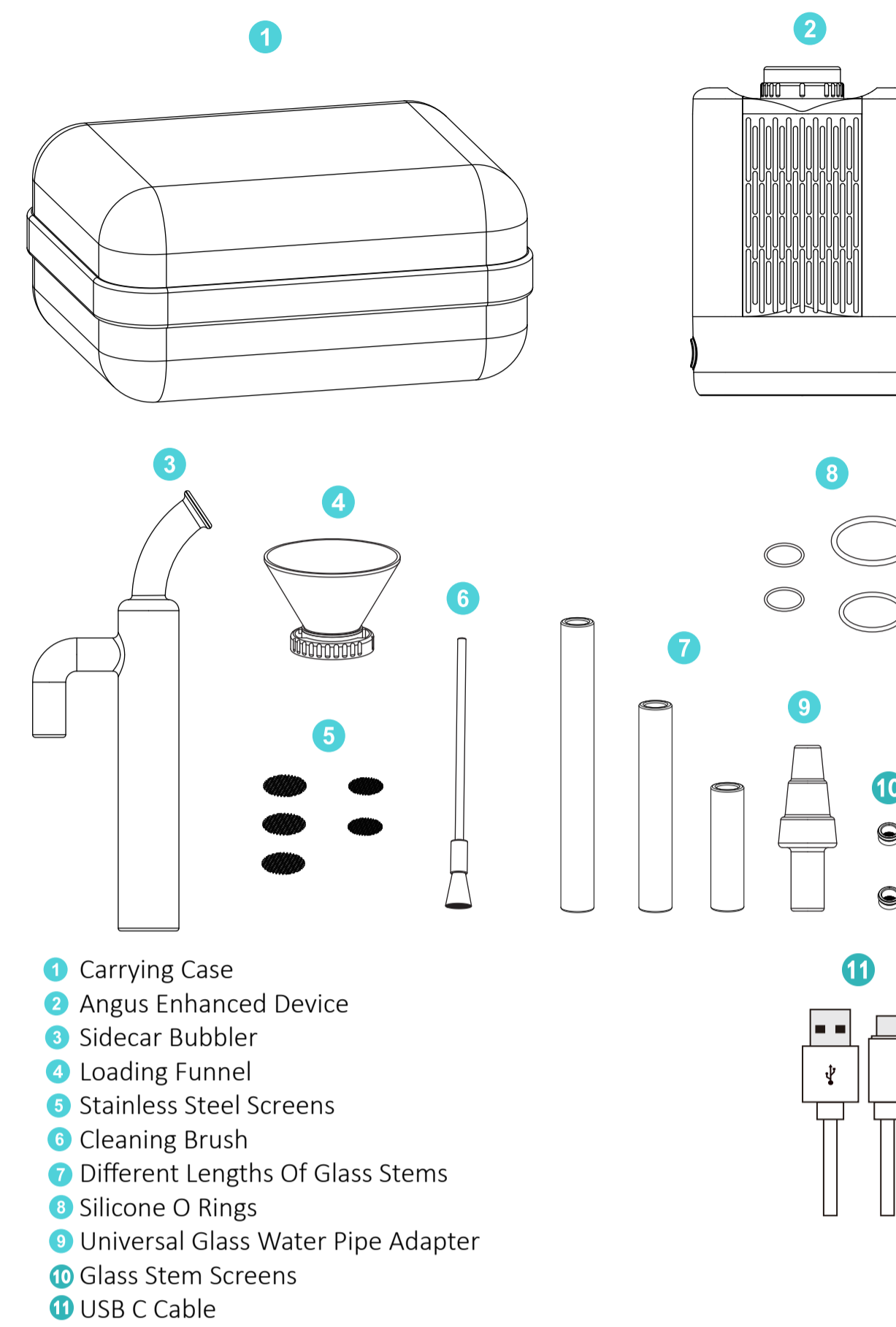


1



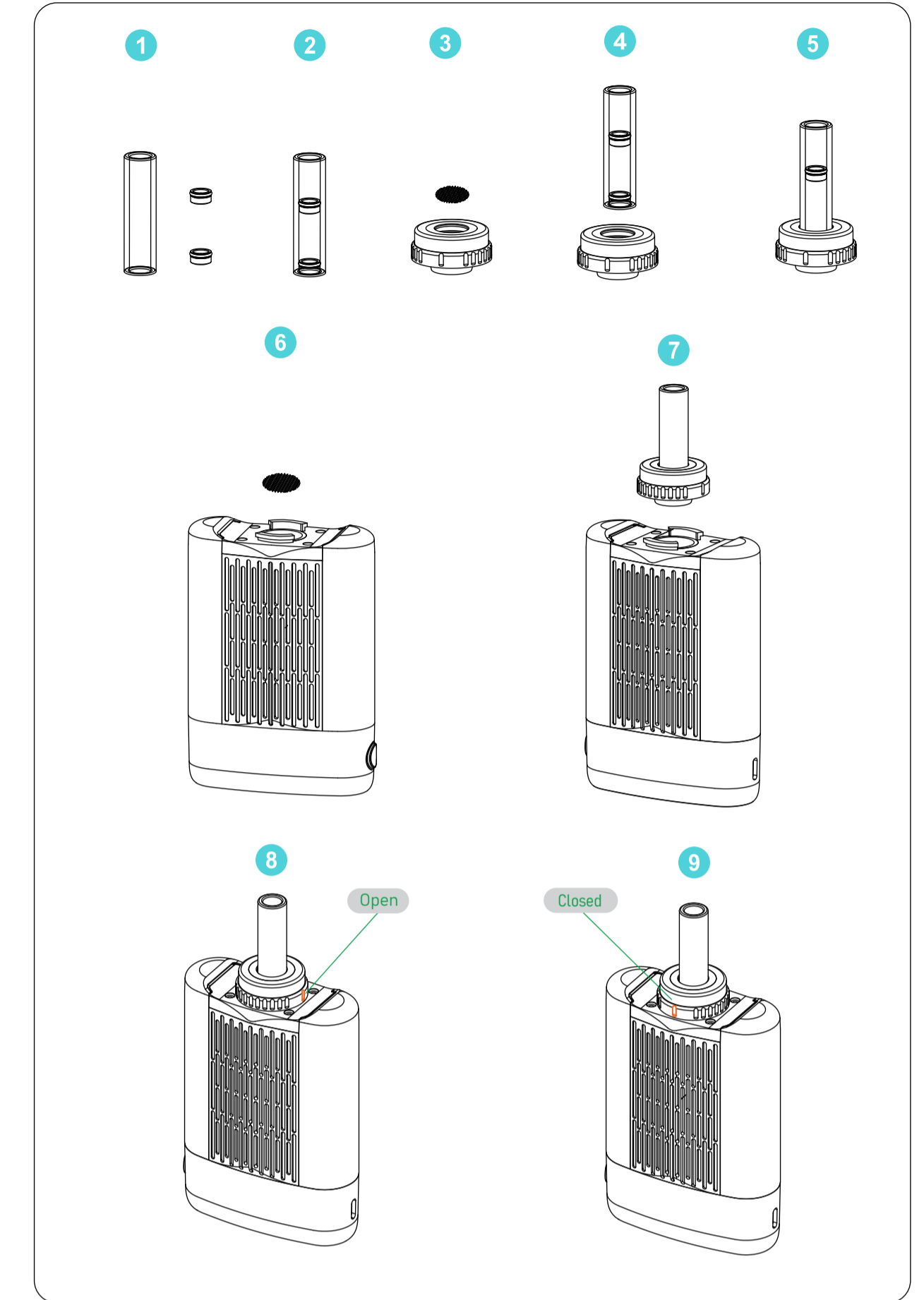
2

What's In The Box

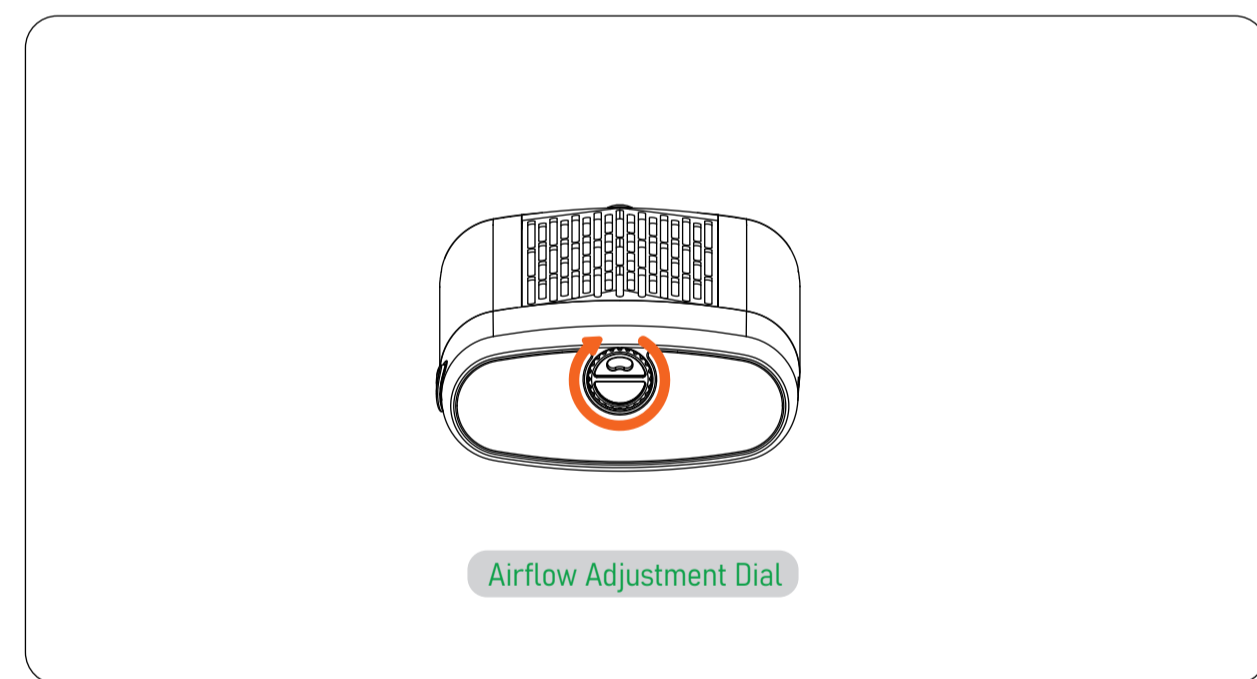


3

Glass Stem Attachment



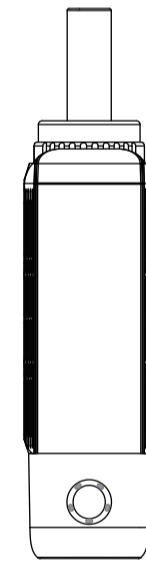
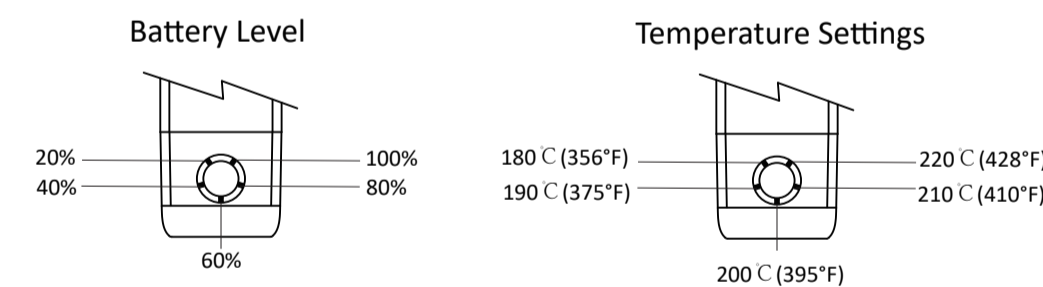
4



Airflow Adjustment Dial

BURNING OFF YOUR DEVICE

Quickly press the power button five times within a two-second interval to power on the Angus Enhanced. Adjust the temperature to the fifth temperature setting (428°F / 220°C). Allow the Angus Enhanced to complete a full heating cycle, do not inhale any vapors produced during burn off. Heating cycle will complete automatically after 5 minutes on its own, repeat these steps 2-3 more times if necessary.



OPERATIONS

Press the power button five times within a two-second interval to power on/off the device. Once the device is turned on, you will be presented with 5 LEDs in the "Light Ring" indicating the battery charge level. Each light in the ring represents 20% of the battery, with 5 lights revealing a 100% charge.

After completing the battery status mode, double-click the power button to enter the temperature settings mode. The unit will start heating at the very first temperature setting, or will cycle to the one used during your most previous session.

Once the device is in heating mode the "Light Ring" will indicate the set temperature of the device. Double click the power button to switch between temperatures during your session. Each temperature change will be indicated by a haptic pulse and change of the light position. The "Light Ring" shows the temperatures in 10 degree increments, with 1 light being the lowest temperature and 5 lights being the maximum temperature.

Use a double-click on the power button to switch between temperature settings.

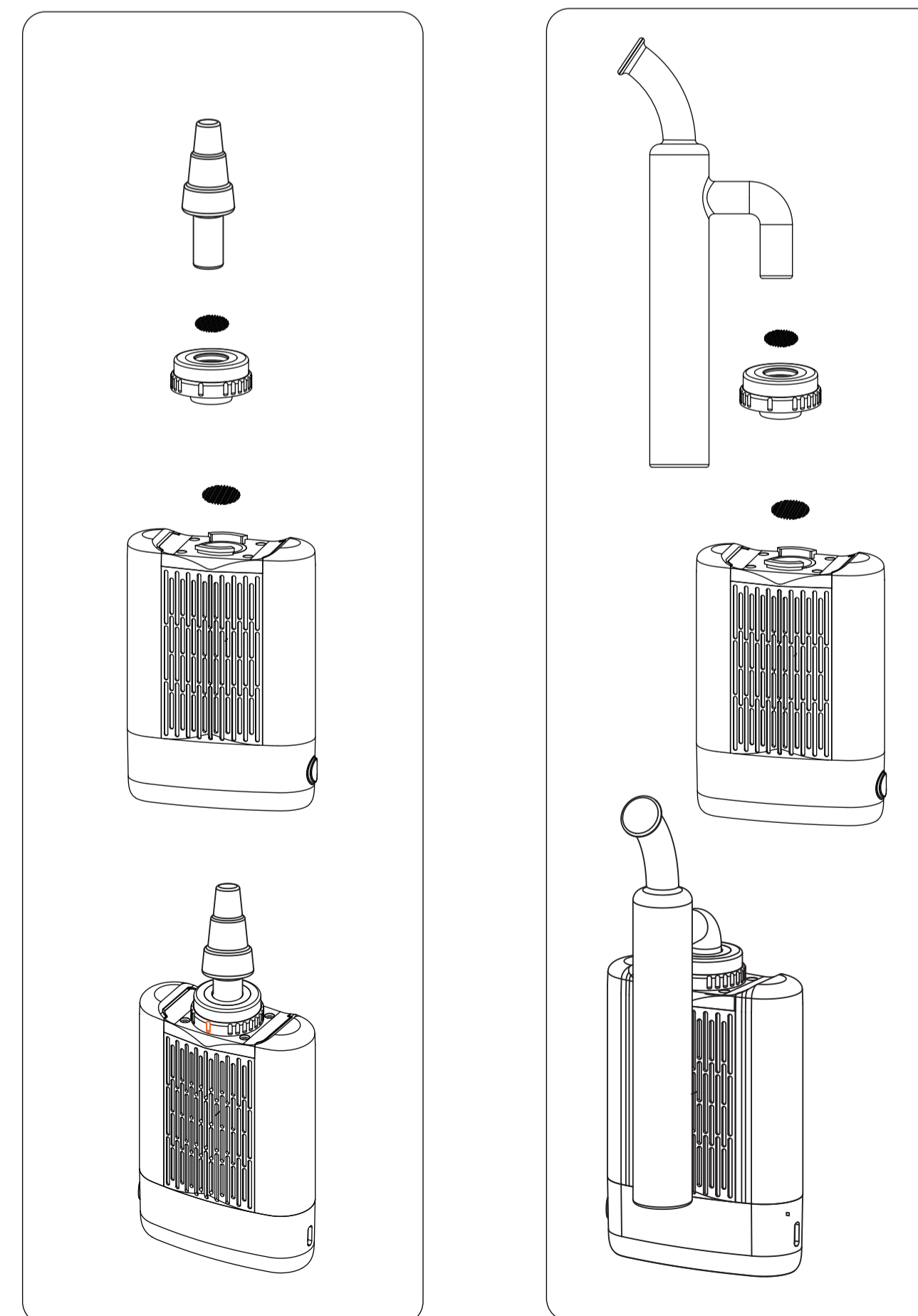
The lights blink when the device is heating up and when it reaches the desired temperature setting, it then will vibrate.

When the device is heating up, the light ring will continuously blink. Once it has reached the desired temperature it will stop blinking and stay solid. Then vibrate to indicate it is ready to use. Now enjoy your 5-minute session with your Angus Enhanced.

Boost mode:
- To enter Boost Mode, hold the power button during a session, and the temperature will rise 10°C (18°F).
- Release the button to return to the previous temperature setting.

6

Water Pipe Adapter and Sidecar Bubbler Attachment



7

Battery Safety Guidelines

- Handle with Care: Avoid dropping, burning, puncturing, or crushing the device or its battery. Contact with liquids may also cause damage. Use Recommended Batteries: YLLVAPE recommends high drain 35a batteries. avoid third-party, counterfeit, or unknown brands, using non-approved cells will cause the device not work correctly and potentially void your warranty.
- Responsible Disposal: Recycle or dispose of batteries according to local environmental regulations.
- Temperature Warning: Avoid extreme temperatures during storage or charging to prevent the risk of fire.
- Lithium Battery Safety: Never tamper with or misuse batteries. Do not use damaged/defective batteries, as lithium batteries can explode or cause a fire.
- Proper Handling: Always match positive (+) and negative (-) when inserting batteries into the Angus Enhanced and chargers. Handle batteries carefully and never drop them.
- Storage Precautions: Store loose batteries in protective covers and avoid carrying unprotected batteries on your body.
- Check for Damage: Do not use the Angus Enhanced if the battery wrapper is damaged or if there are signs of corrosion.
- Avoid Disassembly: Do not disassemble or short-circuit the device.
- Charge Safely: Never charge batteries unattended.
- Temperature Check: Do not use the Angus Enhanced if it feels unusually hot to the touch.

YLLVAPE is not liable for damage or injury resulting from the use, misuse, or mishandling of rechargeable batteries.

Disclaimer

The Angus Enhances is not intended for use with E-Liquids, tobacco or tobacco products. This device is only for aromatherapy products.

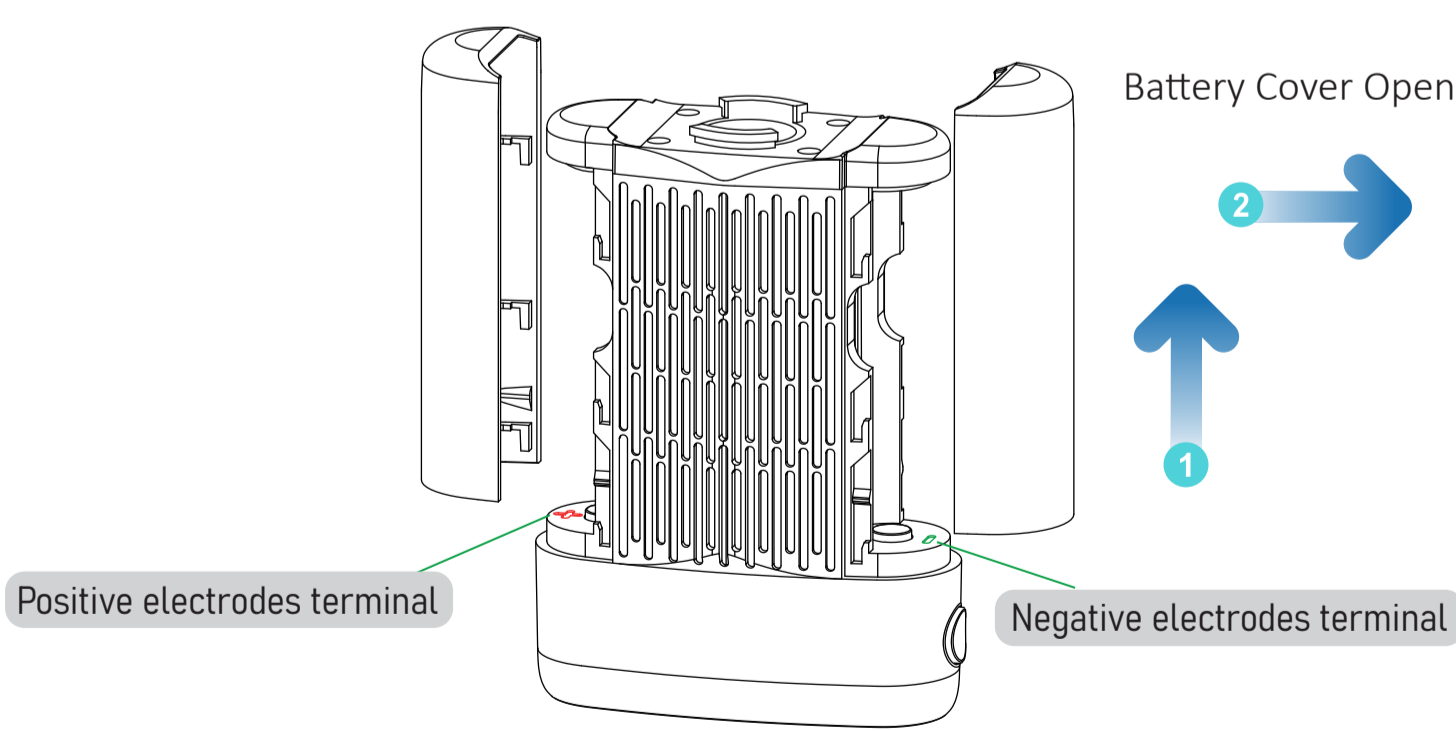
This device is designed for individuals aged 18 years and older. Individuals with limited physical, sensory, or mental abilities, as well as those lacking experience or knowledge, should use the appliance under supervision and with proper instructions to ensure safe usage. If symptoms such as nausea, vomiting, dizziness, diarrhea, weakness, rapid heartbeat, or hypertension occur, discontinue use and consult a physician.

Please note that children should not play with the appliance. Cleaning and user maintenance must not be performed by children without supervision.

Angus
5V 2A Max
100W Max
www.yllvape.com
yllvape
Made in China



8



CHARGING THE BATTERIES

Slide up the side battery covers to uncover the battery chamber, then insert the batteries following the (+) or (-) indicators.

The Angus Enhanced provides the option to charge the unit using the included USB-C cable. It is recommended to use a minimum of a 10 watt USB charger.

The "Light ring" surrounding the power button will flash to signal charging and after reaching a full charge the light ring will no longer be illuminated. Alternatively, an external 18650 battery charger can be used. It is advisable to allocate a dedicated pair of batteries exclusively for use with the unit.

We recommend Molicel/NPE INR-18650-P28A 35A 2800MAH Flat top 18650 batteries.

5